

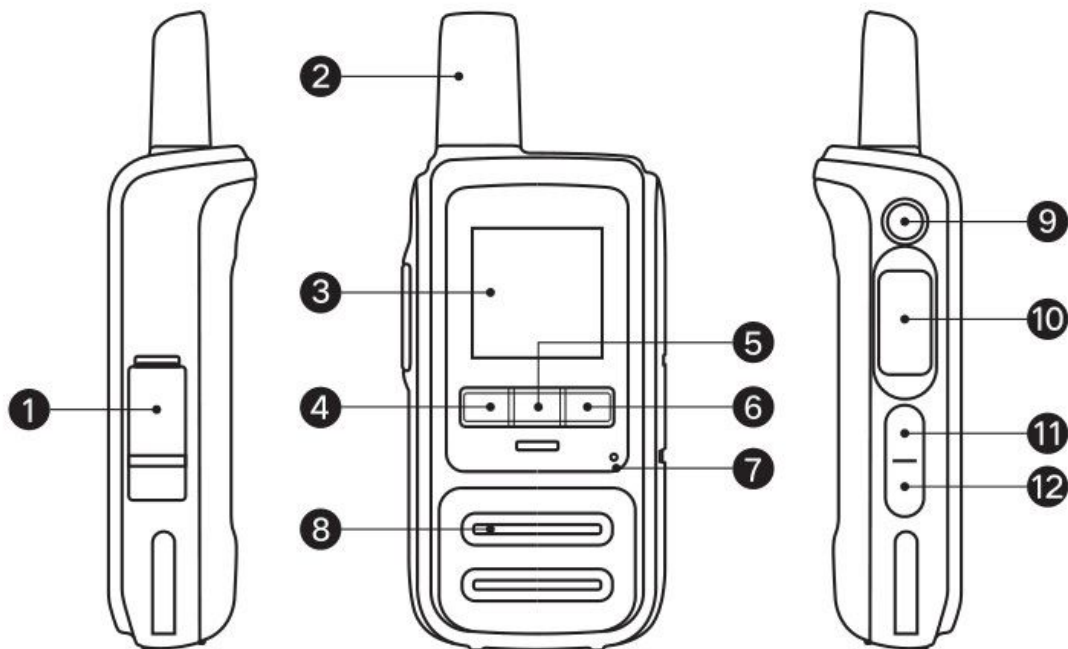


NX-100 ***Gen-2*** **User Manual**

Supplied Accessories

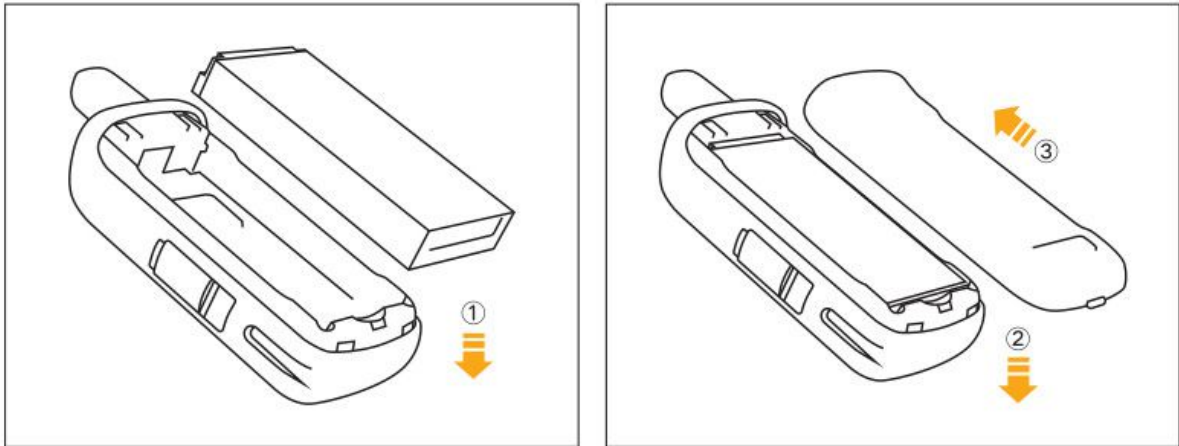
No.	Item	No.	Item
①	Radio Body	④	Belt Clip
②	Battery	⑤	Hand Strap
③	Charging Cable	⑥	User Manual

Product Overview



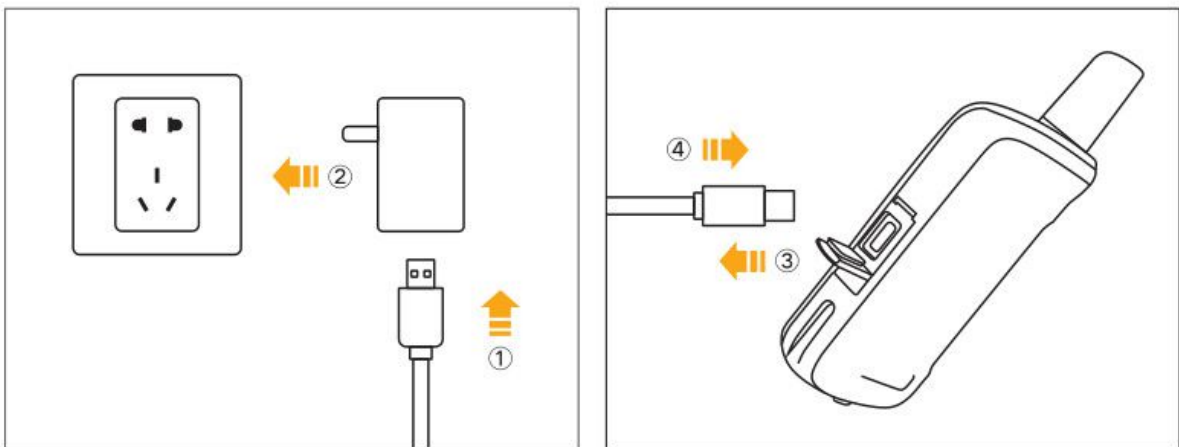
No.	Part Name	No.	Part Name
①	Accessories Jack	⑦	Microphone
②	Antenna	⑧	Speaker
③	LCD display	⑨	Power On/Off / Screen On/Off
④	Volume - / UP Key	⑩	PTT Key
⑤	Menu / Confirm Key	⑪	Confirm Key / PF1
⑥	Volume + / DOWN Key	⑫	Exit Key / PF2

Installing Battery



As shown in Figure 1, place the battery into the battery compartment. The positive and negative directions of the battery correspond to the markings in the battery compartment. As shown in Figures 2 and 3, close the battery back cover and push it upward until the battery cover is fixed.

Charging Battery

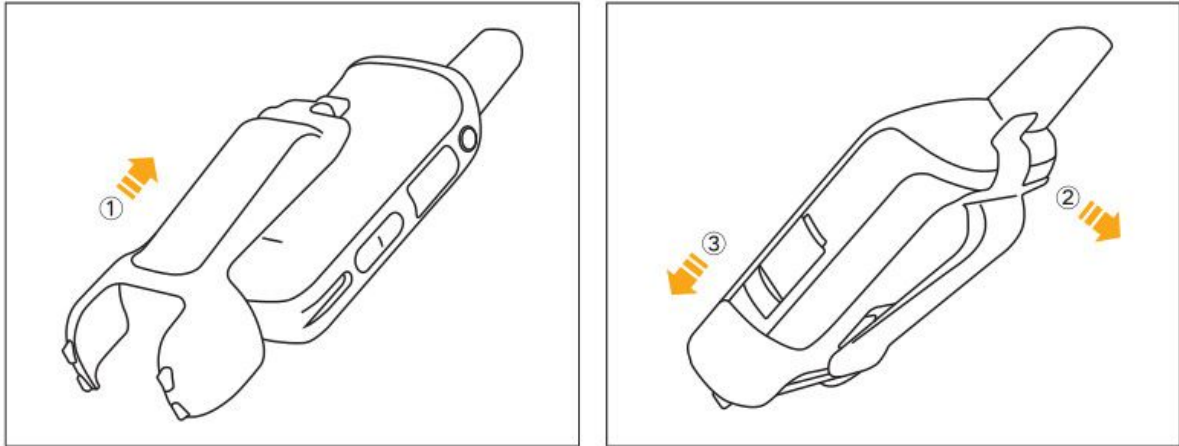


1.As shown in Figure 1 and Figure 2, connect the charging cable to the power adapter, and plug the power adapter into the AC power socket.

2.As shown in Figure 3 and Figure 4, open the accessory jack cover and insert the charging cable into the TYPE-C port of the walkie talkie that has the battery installed.

3.When walkie talkie shutting down for charging, the red indicator light lights up to indicate charging has started, and the green indicator light indicates charging is completed.

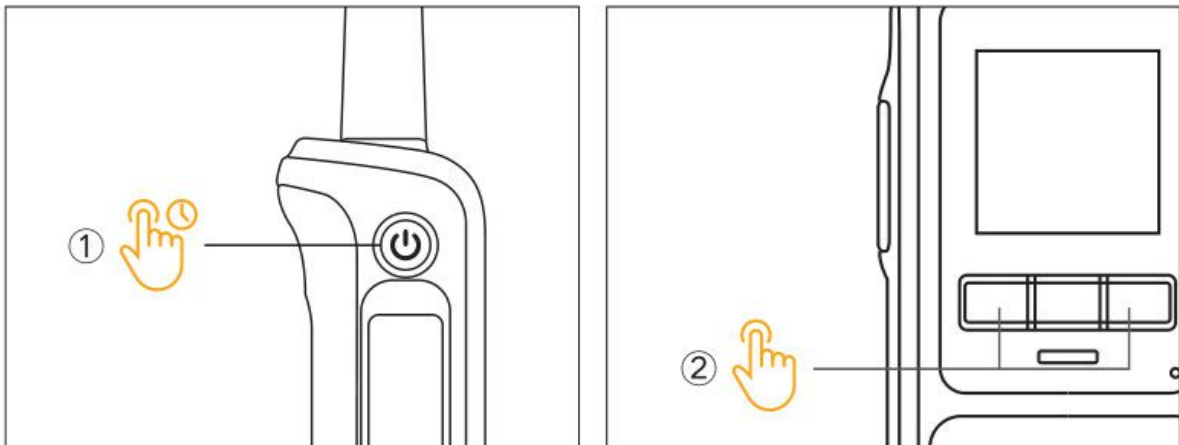
Installing Belt Clip



1.Install the back clip: As shown in Figure 1, insert the back clip into the fuselage from bottom to top until the top buckle of the back clip engages with the groove on the top of the fuselage.

2.Disassemble the back clip: As shown in Figure 2 and Figure 3, gently push back the top buckle of the back clip to separate the buckle from the fuselage, and then remove the back clip downwards.

Basic Operation

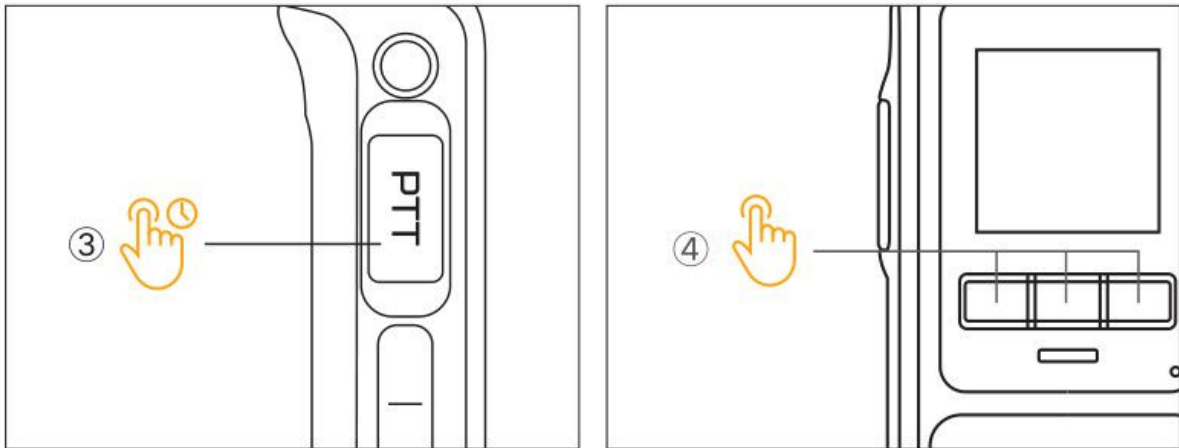


1.Power ON/OFF

As shown in Figure 1, long press and hold the power button until the screen lights up to power on radio.

Long Press and hold the power button until the shutdown animation appears to power off radio.

Note: When you turn on the radio for the first time after changing the SIM card of a different operator, it may automatically shut down. This is normal. Just restart the radio.



2.Adjust Volume

As shown in Figure 2, short press Volume + and Volume - to adjust the volume.

3.Push To Talk

As shown in Figure 3, press and hold the PTT switch to make a call, then speak into the microphone using your normal speaking voice. Release PTT switch to receive.

4.Function Operation:

This unit provides you with a series of functions and assigns them to the function menu.

1. Press the menu key to enter the function list;
2. Press the Up/Down keys to select the desired option;
3. If the selected function has a sub-menu, select the desired sub-menu;
4. If the selected function also has next-level sub-menus, please repeat step 3.
5. Select the desired settings.
6. To return to the previous menu, press the return key to exit.

Care and Cleaning

To guarantee optimal performance as well as a long service life of the product, please follow the tips below.

- Do not puncture or scratch the product with hard objects.
- Do not place the product in corrosive agents, solutions or water.
- Do not handle the radio by its antenna or external microphone directly.
- When not in use, keep the accessory jacks covered with the protective caps.

 Power off the product, and remove the battery before cleaning.

- Clean up the dust and fine particles on the product parts with a clean and dry lint-free cloth or a brush regularly.
- Use a non-woven fabric with neutral cleanser to clean the keys, control knobs, and shell after long-time use.
Do not use chemical preparations such as stain removers, alcohol, sprays or oil preparations.
- Make sure the product is completely dry before use.